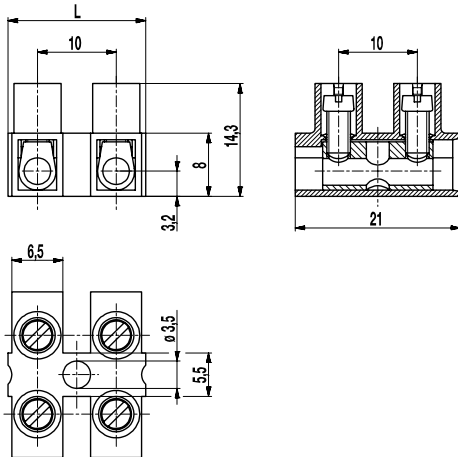
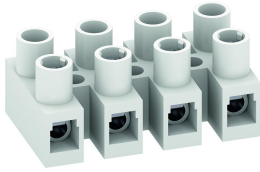


323-N(-HDS)

Socket terminal strip
Screw connection, low profile version



The version 323-N has a 1.7 mm lower total height. They are specially useful where space is at premium and the creepage distance metal part to ground has not priority, e.g. inside plastic casings.

Part Numbers: "no flame" acc. to glow-wire test

No. of poles	323-N	323-N-HDS	Length	PU
2	12.822.047.EN6		18,00	1000
3	13.822.047.EN6	33.822.047.EN6	28,00	1000
5	15.822.047.EN6		48,00	500
12	22.822.047.EN6	42.822.047.EN6	117,00	50

further number of poles on request

General Information

Pitch	10 mm
No. of poles	1 - 12
Areas of application	For lighting applications and similar electrical equipment.




Technical Data

Clamping Range	<i>solid / flexible / AWG</i>		
	<i>without wire protector</i> 0,75 - 6 mm ² / 0,75 - 4 mm ² / 18 - 10 AWG		
	<i>with wire protector</i> 0,5 - 4 mm ² / 0,5 - 2,5 mm ² / 20 - 12 AWG		
Rated Cross Section	2,5 mm ²		
Wire Stripping Length	6,5 mm ± 0,5 mm		
Overvoltage Category	III	III	II
Pollution Severity Level	3	2	2
Rated Voltage	320 V	320 V	630 V
Rated Impulse Voltage	4 kV	4 kV	4 kV
Rated Insulation Voltage	450 V acc. to EN 60998-1		
Rated Current	24 A		
Torque	0,5 Nm		

Material

Moulding	PA, white, V-0
Comparative Tracking Index	CTI ≥ 600
Insulating Group	I
Temperature Range	-40°C up to 100°C
Terminal Body	Nickel plated brass
Screw	M3; zinc plated steel, blue passivated
Wire protector	Stainless steel strip

Approvals

	Current [A]	Voltage [V]	Group	AWG	[Nm]
	30	300	B,C	22 - 10	0,51 [1]
	25	300	B	26 - 10	0,51
	25	150	C	26 - 10	0,51
	10	300	D,E	26 - 10	0,51
	Current [A]	Voltage [V]	[mm ²]		
	24	450	2,5		

[1] Shall be mounted on a suitable insulated surface, on standoffs or equivalent means to maintain spacing from live parts to the mounting surface.

Options / Accessories

- Marking options on and between the screw guides
- Marking strips BST-323
- Jumper 323-J
- Cover caps A-323 und base plate B-323 for additional contact protection
- Crosshead screws